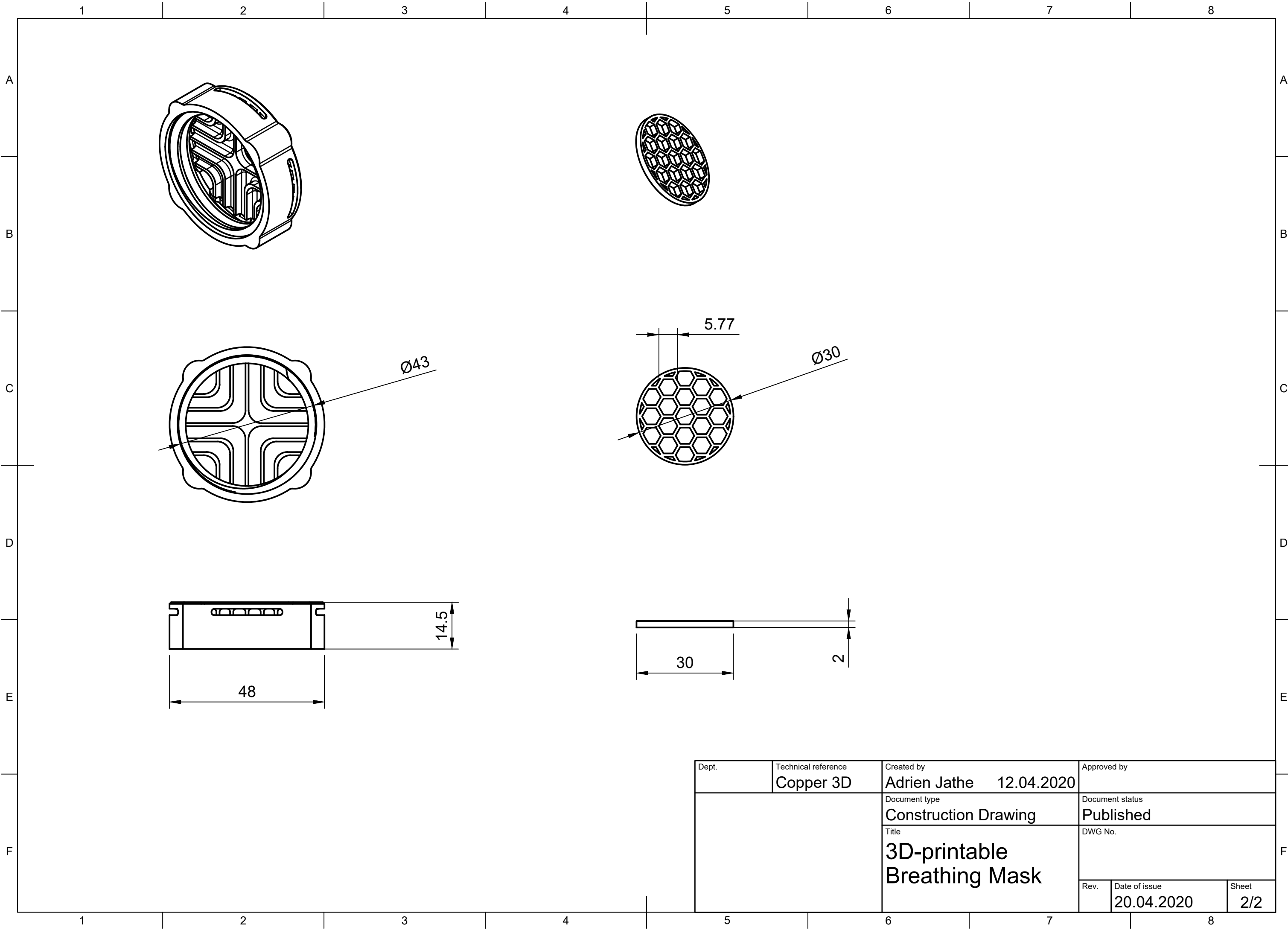


Dept.	Technical reference Copper 3D	Created by Adrien Jathe 12.04.2020	Approved by	
		Document type Construction Drawing	Document status Published	
		Title 3D-printable Breathing Mask	DWG No.	
	Rev.	Date of issue 20.04.2020	Sheet 1/2	



Dept.	Technical reference <b>Copper 3D</b>	Created by <b>Adrien Jathe 12.04.2020</b>	Approved by
		Document type <b>Construction Drawing</b>	Document status <b>Published</b>
		Title <b>3D-printable Breathing Mask</b>	DWG No.
Rev.	Date of issue <b>20.04.2020</b>		Sheet <b>2/2</b>